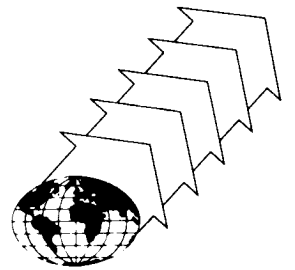


Technical Bulletin



**TOMORROW'S
MANUFACTURING
LEADERSHIP
TODAY**

Bulletin Number: 486 Revision Number: R-00

Release Date: May 31, 1994 Revision Date: _____

SUBJECT: MARS CASH FLOW CHANGER COIN FUNNEL

MODELS AFFECTED: All Dixie-Narco venders used with a Mars Cash Flow Coin Mech.

REASON: To provide a funnel to install in the top of the separator of a Mars Cash Flow Coin Mech to enhance coin handling.

ORDER: 491,010,630.03 Coin Funnel, Mars Cash Flow Changer



To install:

1. Place tabs A and B (see figure 1) of the coin funnel in the slots in the top of the separator as shown in figures 1 and 2.
2. Bend tabs upward to secure the coin funnel in position.
3. Insert coins through the coin insert and in the changer to ensure proper operation.

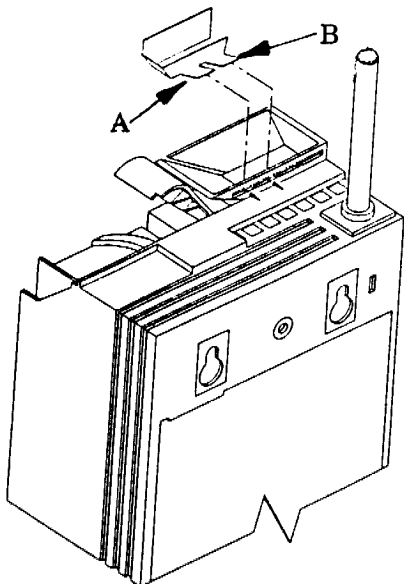


Figure 1

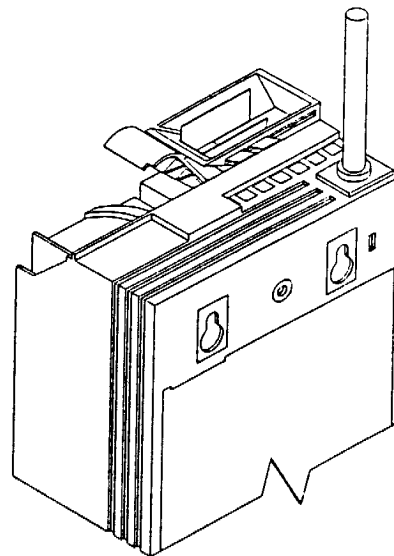


Figure 2

**TB 486
Page 1 of 1**